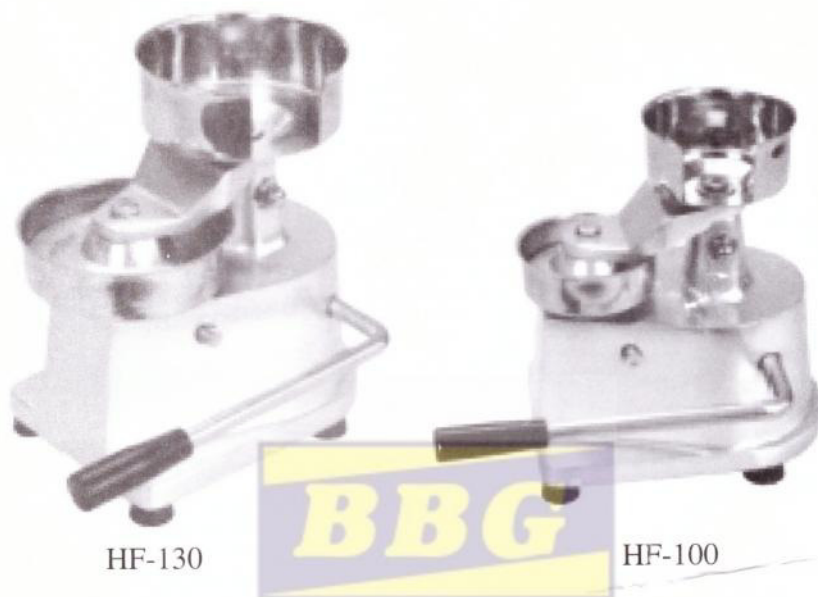


OPERATION INSTRUCTIONS

HAMBURGER MACHINE



INSTALLATION

- Install the machine onto a solid, stable, non-slip surface. This area should be large enough to allow easy access & cleaning.
- Put the cellophane discs into the holder at the top of the machine.

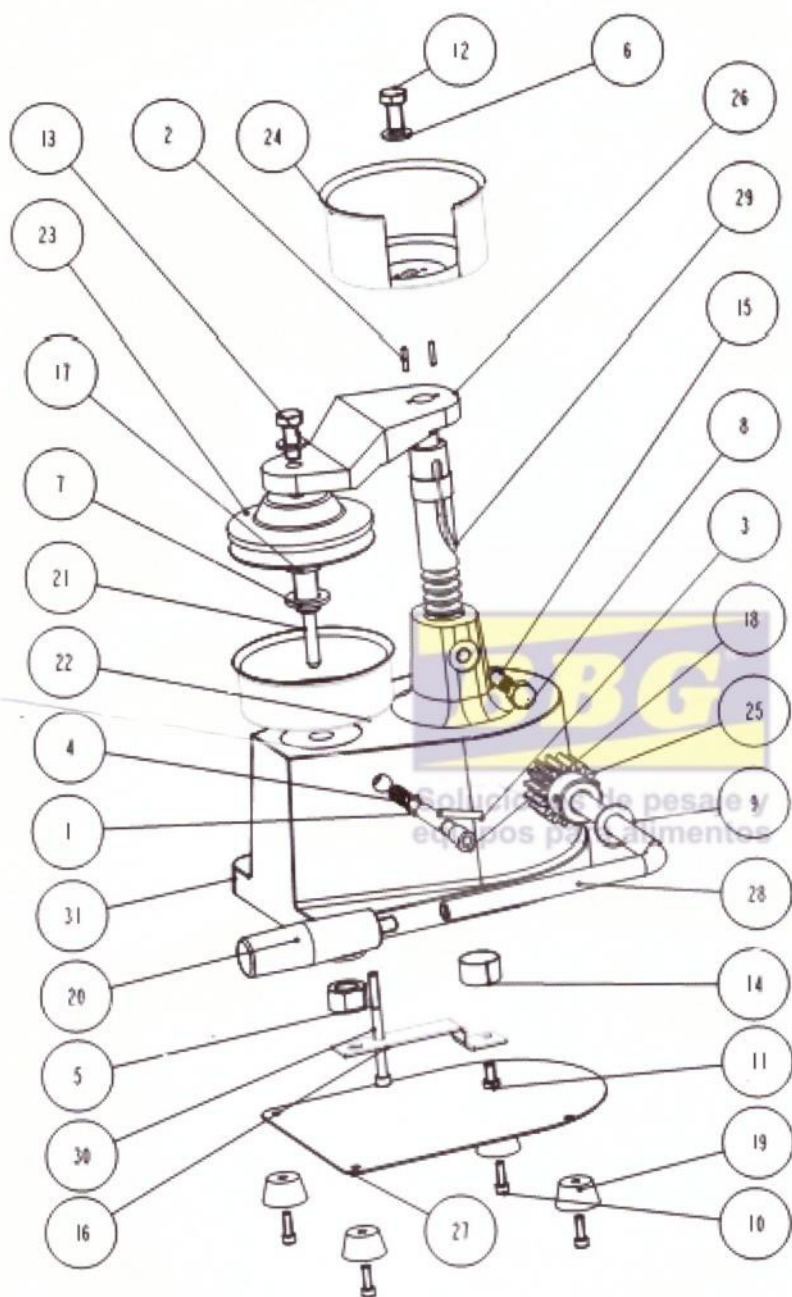
USE

- Put one cellophane disc into the holder.
- Then place a small quantity of minced meat, according to the thickness required
- Place another cellophane disc on the meat.
- Pull the lever down to form the hamburger.
- Lift the lever, which will lift the hamburger for easy removal.

CLEANING

Carefully clean the machine with damp cloth and then wipe off with a dry cloth.

MANUAL FORMADORA DE HAMBURGUESAS MARCA BBG REF: HF



1	Scheibe
2	Pin
3	Pin
4	Spring
5	Thick hexagonal nut
6	Gasket
7	Gasket
8	Acorn nut
9	Gasket
10	Inner hexagon screw
11	Hexagon bolt
12	Hexagon bolt
13	Hexagon bolt
14	Sliding bearing
15	Bolt
16	Board
17	Swivel nut
18	Push bar
19	Leg
20	Bakelite handle
21	Press bar
22	Food tray
23	Presser
24	Paper tray
25	Gear
26	Holder of presser
27	Bottom board
28	Shaft for handle
29	Shaft for rack
30	Inner hexagon screw
31	Body